

How to set up
your oxio TV.



You can connect your oxio TV receiver by Ethernet cable or by wifi.



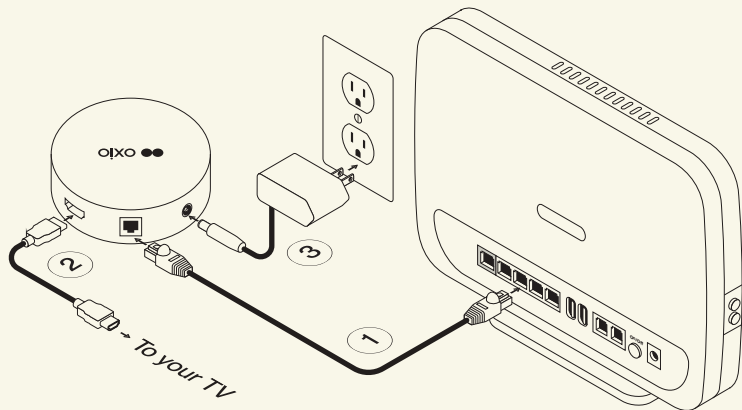
→ If your oxio TV receiver is close to your router, we recommend connecting it with the provided Ethernet cable.



1

Connect your oxio TV receiver.

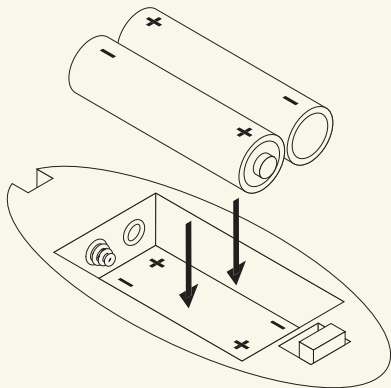
1. **Plug** one end of the Ethernet cable into your oxio TV receiver and the other end into one of the LAN ports on your router.
2. **Plug** one end of the HDMI cable into your oxio TV receiver and the other end into your TV.
3. **Plug** your oxio TV receiver into an electrical outlet.



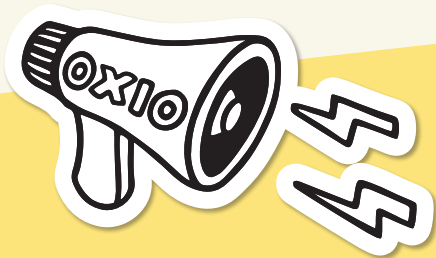
2

Using your remotes.

1. **Put** two AA batteries into the oxio remote.
2. **Use** your TV remote (not the oxio one) to select the right input on your TV.



Before you start watching: Your oxio TV needs to install the latest update. Please let it.



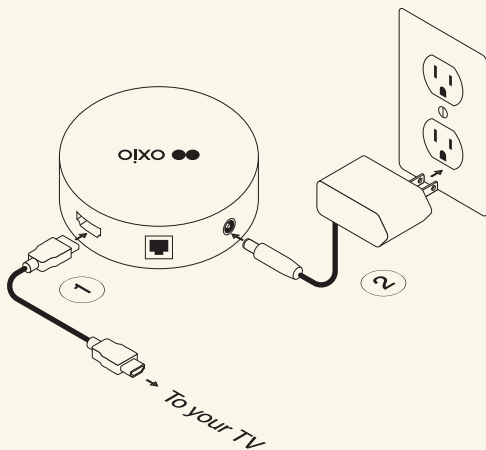
→ If your oxio TV receiver is at least 5 feet from your router, you can connect it over wifi.



1

Connect your oxio TV receiver.

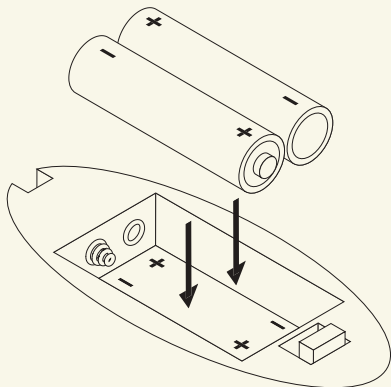
1. **Plug** one end of the HDMI cable into your oxio TV receiver and the other end into your TV.
2. **Plug** your oxio TV receiver into an electrical outlet.



2

Using your remotes.

1. **Put** two AA batteries into the oxio remote.
2. **Use** your TV remote (not the oxio one) to select the right input on your TV.



3

Connect your oxio TV receiver to your wifi.

1. When the “Warning” message appears, **choose** “Settings.”
2. **Select** “Network & Internet.”
3. Under “Available networks,” **select** your oxio network. If your oxio network isn’t there, select “See all.”

If you’re using your own router, remember to select the 5G network. It’ll ensure you have the best possible oxio TV experience.

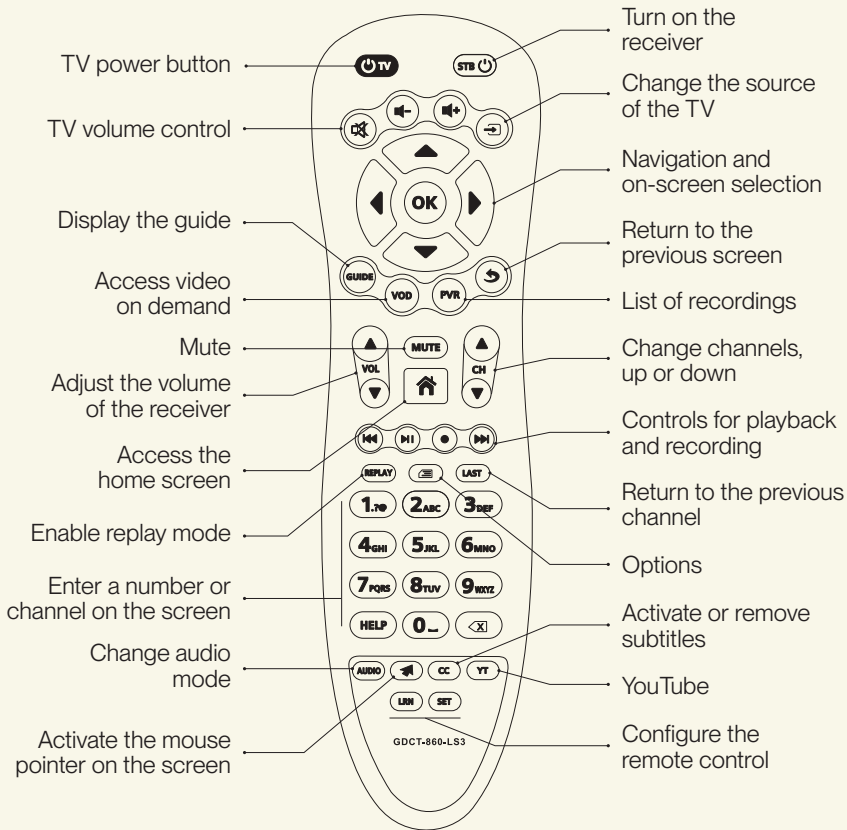
4. **Enter** your network password.

Before you start watching: Your oxio TV needs to install the latest update. Please let it.

A few extras.

1. You can program your oxio remote to control some functions on your TV. Take a look at ***How to have my remote control my TV?*** at aide.oxio.ca/en.
2. If part of the image is missing on your TV screen, you'll need to adjust the zoom feature on the oxio TV receiver. Follow these steps:
 - On the home screen, choose "Settings."
 - Zoom.
 - Use the arrow keys on the oxio remote to adjust your screen until the red box touches the outside edge of the frame of your TV.



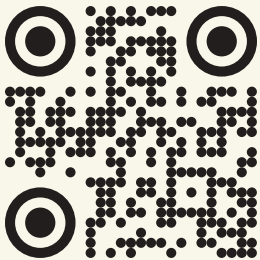
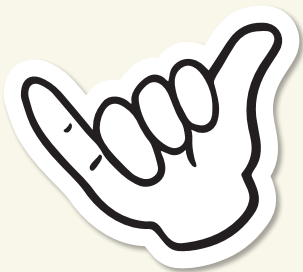


We're here to help.

That's it! Your oxio TV should be working like a dream. If it's not, we're here to help.

If you've got a question, problem, or even a compliment, contact us on Messenger, by email at bonjour@oxio.ca or SMS at 581 703-7550.

Or, get answers to your questions by scanning this QR code.



oxio.ca/en/support



Notes
